

ChromaSteam3™

MSCHROMA3X

The ChromaSteam3 System allows you to select color and modes directly from the iSteam3 control. The built-in color micro-processor allows you to choose one color from the color selection wheel and set color intensity. Included low voltage power supply.

The ChromaSteam System is for mood lighting only and not a substitute for general illumination.

Box Contents

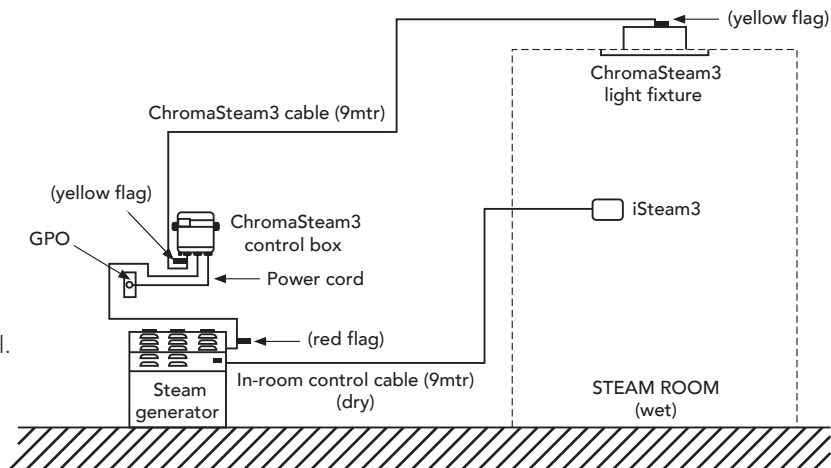
The MSCHROMA3 includes all of the following:

- Installation and Operation Manual
- Light Fixture
- LED Control Box
- Rough-in Box
- 9mtr cable
- Tube of Silicone

ChromaSteam3 is only for use with iSteam3 Control.

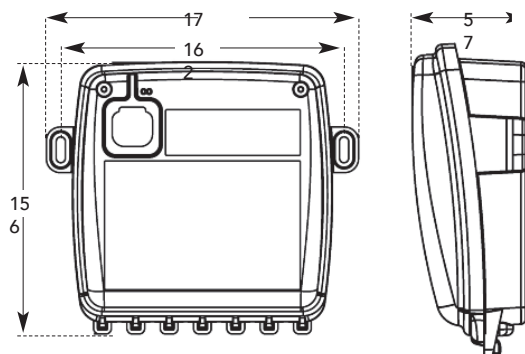
Options

Light fixture available in White or Black Trim.



Dimensions (mm)

LED Control Box



Environmental Ratings

Operating temperature: -20°C to 60°C
 Storage temperature: -30°C to 85°C
 Humidity: 70% max
 Water resistance: IPx5

Mechanical

Weight: 876 grams
 Dimensions (W x H x D): 179 x 156 x 57mm

Power Supply

Input Voltage: 240 VAC 50-60Hz
 GPO required

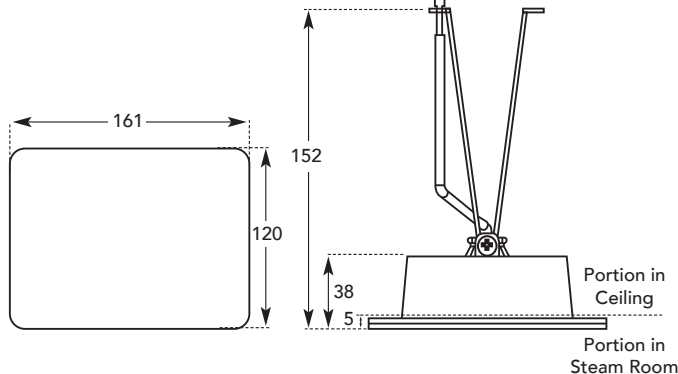
NOTE: FOR ILLUSTRATIVE PURPOSES ONLY.
 IMPORTANT: See the ChromaSteam3 Installation, Operation and Maintenance Manual for further details.

mr.steam®



Sussman Automatic Corp®

Light Fixture



Environmental Ratings

Operating temperature: -20°C to 60°C
 Storage temperature: -30°C to 85°C
 Humidity: 100% max
 Water resistance: IP67

Mechanical

Weight: 450 grams
 Dimensions (W x H x D): 161 x 120 x 38mm

Power Supply

Via Control Box 5VDC

Conformity



E4827
 Australia & New Zealand

