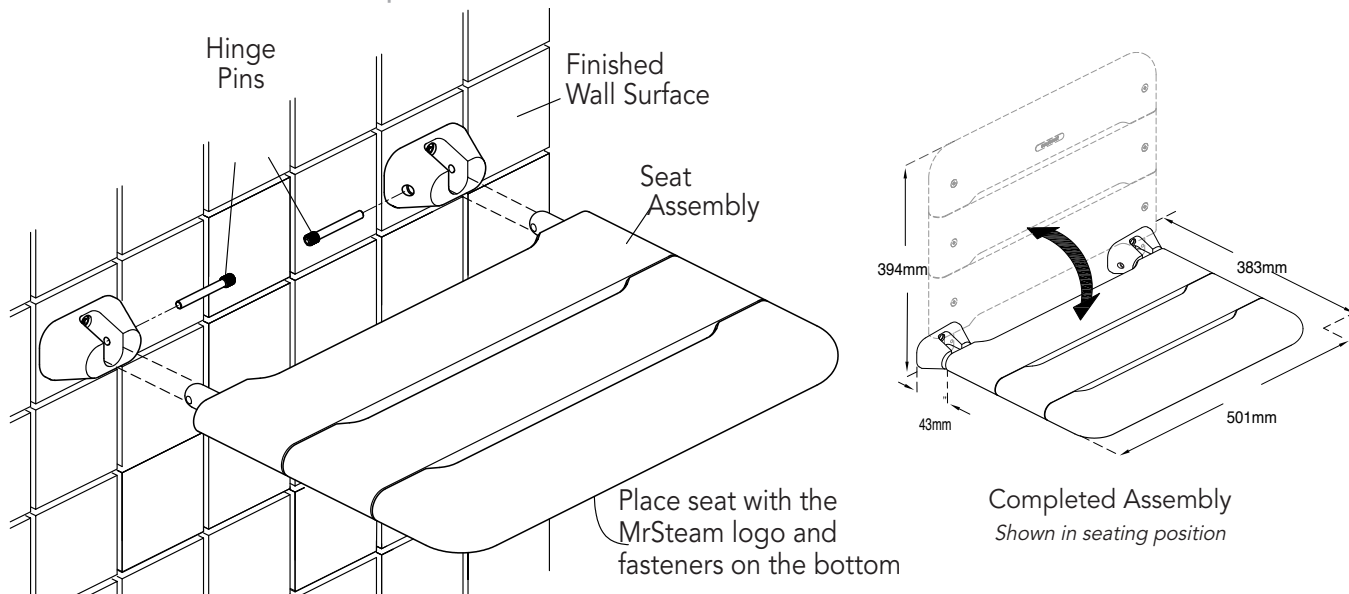


MS WallSeat (Fold Up)



Box Content

- (2) Wall Brackets
- (2) Hinge Pins
- (1) Allen Wrench
- Installation Instructions & Mounting Template
- (4) #12 x 76mm Wood Screws
- (1) Seat Assembly
- Silicon Tube

CAUTION Contact with teak may result in skin irritation or allergic reactions. If you are allergic to teak use a towel to prevent direct contact with the seat.

- Teak wood, beautifully finished and sealed
- Seat drops for use, folds for storage
- Dimensions 501mm x 383mm x 35mm
- Rated max 250 lbs (113kg).
- For use in any shower

Finishes

- Polished Chrome
- Brushed Nickel
- Satin Brass

Installation

Additional framework required to ensure secure mounting of the MS Wall Seat brackets.

FOR ILLUSTRATIVE PURPOSES ONLY. IMPORTANT NOTE: FOR SAFE AND TROUBLE FREE INSTALLATION visit mrsteam.com before installation to download the Installation, Operation and Maintenance Manual or refer to the manual provided with the unit.

